

PSMS-XL / PSTS-XL

INDUSTRIAL AXIAL FANS



Fan Components and Material Properties

Body and propeller are made of electrostatic powder coated sheet metal. The axial flaps are produced in an aerodynamic manner to ensure a smooth flow. The protective wire mesh is made of steel with electrostatic powder coating. The motor and fan impeller are connected to the main body by steel carriers.

Benefits

Thanks to their ideal wing angles, they achieve high air flow at minimum sound levels despite their small size. It has a compact design in high flow. Thanks to its square frames, it is easy to install on the wall and window.

Speed Control

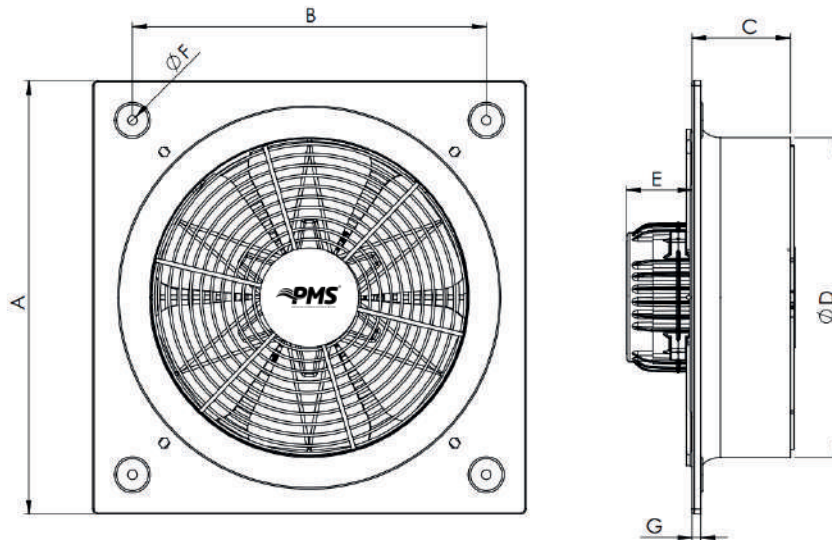
Optional control devices can be provided.

1~phase products with linear voltage regulator speed control can be done. (see PSC accessory)

Usage Areas

Factories, warehouses, paint shops, shopping centers, etc. used for the ventilation of high volume places.

Technical Drawing and Tables



	A	B	C	D	E	F	G
PSMS/T-XL 250	333	275	80	261	80	8	10
PSMS/T-XL 300	412	336	80	307	80	8	10
PSMS/T-XL 350	465	390	90	365	80	8	10
PSMS/T-XL 400	500	420	100	403	80	8	10
PSMS/T-XL 450	560	480	105	462	80	8	10
PSMS/T-XL 500	630	561	110	513	90	8	10
PSMS/T-XL 550	660	585	145	565	135	8	10
PSMS/T-XL 600	700	631	145	612	135	8	10
PSMS/T-XL 250-2K	333	275	80	261	80	8	10

TYPE	VOLTAGE	FREQUENCY	POWER	CURRENT	SPEED	AIR FLOW	SOUND LEVEL	INSULATION	PROTECTION	WEIGHT
	V	Hz	W	(A)	r.p.m	m ³ /h	dB(A)	Iz. Kl.	IP	kg
PSMS-XL 250-2K	230	50	155	1	2900	2300	61	B	44	6,5
PSMS-XL 250	230	50	70	0,4	1475	1250	45	B	44	6,2
PSMS-XL 300	230	50	90	0,45	1445	2150	48	B	44	7,2
PSMS-XL 350	230	50	165	1,05	1460	3400	53	B	44	8,3
PSMS-XL 400	230	50	180	1,17	1425	4750	56	B	44	9,2
PSMS-XL 450	230	50	200	1,1	1430	5200	60	B	44	9,7
PSMS-XL 500	230	50	250	1,1	1440	5650	62	B	44	11,2
PSMS-XL 550	230	50	255	1,07	1440	6150	63	B	44	15,5
PSMS-XL 600	230	50	265	1,15	1400	8300	65	B	44	15,8
PSTS-XL 250-2K	380	50	150	0,48	2900	2300	61	B	44	6,5
PSTS-XL 250	380	50	100	0,62	1450	1250	45	B	44	6,5
PSTS-XL 300	380	50	125	0,65	1450	2150	48	B	44	7,5
PSTS-XL 350	380	50	135	0,65	1470	3400	53	B	44	8,5
PSTS-XL 400	380	50	145	0,66	1450	4750	56	B	44	9,5
PSTS-XL 450	380	50	150	0,66	1450	5200	60	B	44	9,8
PSTS-XL 500	380	50	155	0,67	1450	5650	62	B	44	11,3
PSTS-XL 550	380	50	160	0,67	1400	6150	63	B	44	15,4
PSTS-XL 600	380	50	175	0,68	1400	8300	65	B	44	15,7

