

Products Overview

The YWF series are plate mounted wall fan with inlet bellmouth. Range sizes are fitted 250mm to 630mm diameter. **YWF** series are offered with AC Voltage:

- E: Single-phase with 240V/50Hz.
- D: Three-phase with 380V/415V/50Hz.

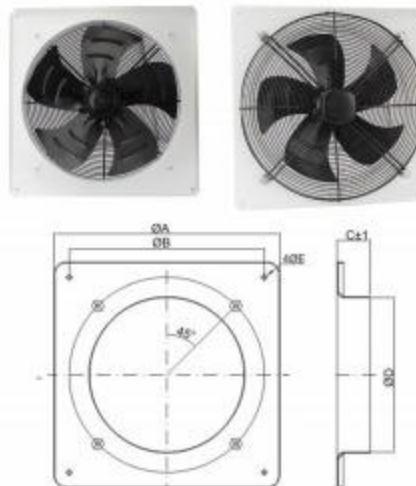
Material:

- Casing: Plate steel with powder-coated and anti-corrosion protection.
- Impeller: Steel with powder-coated and high efficiency sickle axial impeller driven by external rotor motor
- Motor: 100% copper coil and fitted with high quality ball bearing, high efficiency, low noise, maintenance free and long service life. Equipped with thermal overload protection.
- Standard motor range is protected to IP 54, class F insulation.
- **Application:** Factory and warehouses, restaurants, gymnasiums, meeting rooms, workshops, swimming pools, green houses, public toilet and stores, etc.

Performance Parameters

Model	Max. Air Volume (m ³ /h)	Max. Pressure (Pa)	Power (W)	Current (A)	Speed (rpm/min)	Voltage (V/PHz)	Capacity (μF)	Noise dBA (at 3m)
YWF2E-200-A	750	100	75	0.35	2650	220/1/50	2	56
YWF4E-200-A	480	40	55	0.26	1450	220/1/50	2.5	50
YWF2E-250-A	1650	160	120	0.57	2650	220/1/50	5	65
YWF4E-250-A	850	60	55	0.26	1450	220/1/50	2	50
YWF2E-300-A	2300	210	180	0.85	2600	220/1/50	6	66
YWF4E-300-A	1600	75	80	0.37	1400	220/1/50	3	60
YWF4E-350-A	2620	90	120	0.57	1400	220/1/50	5	64
YWF4E-400-A	3800	125	190	0.90	1400	220/1/50	6	68
YWF4E-450-A	4850	150	280	1.28	1380	220/1/50	10	69
YWF4E-500-A	6500	190	370	1.75	1390	220/1/50	15	72
YWF4D-500-A	6500	190	370	0.85	1390	380/3/50		72
YWF4E-550-A	8300	215	550	2.50	1350	220/1/50	18	74
YWF4D-550-A	8300	215	550	1.20	1350	380/3/50		74
YWF4E-600-A	10800	230	750	3.50	1350	220/1/50	20	75
YWF4D-600-A	10800	230	700	1.50	1350	380/3/50		75
YWF4E-630-A	10800	230	800	3.70	1360	220/1/50	20	75
YWF4D-630-A	10800	230	850	1.60	1360	380/3/50		75
YWF4D-710-A	21000	270	2300	4.90	1380	380/3/50		85
YWF6D-800-A	20000	200	1700	4.50	930	380/3/50		88
YWF6D-910-A	27000	200	2200	1.70	930	380/3/50		80

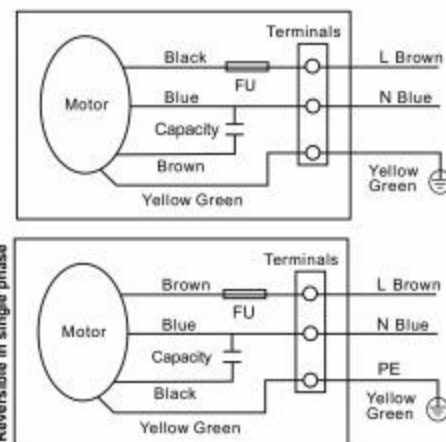
Dimension Information



Size	A	B	C	D	E
200	312	260	52	203	7
250	370	320	55	258	7
300	430	380	80	315	9
350	485	435	85	359	9
400	540	490	100	400	9
450	575	535	105	456	11
500	655	615	120	509	11
550	725	675	135	563	11
600	805	750	150	610	11
630	805	750	150	610	11
710	850	810	170	710	14.5
800	970	910	210	800	14.5
910	1070	1010	205	920	14.5

Wiring Diagram

- The fan is designed for 220-240V/50Hz (single-phase) and 380-415V/50Hz (three-phase) alternating current mains.
- Check that supply is according to data on nameplate.
- Insert electric wire according to the instructions in the terminal box.
- The equipment connected ground for motor protection according to the instructions.
- Connect electric supply.



In the case of reverse direction of rotation:

- With 1 phase motor to change direction of rotation, transpose the position of leads black and brown.
- With 3 phases motor to change direction of rotation transpose two of the phases.

