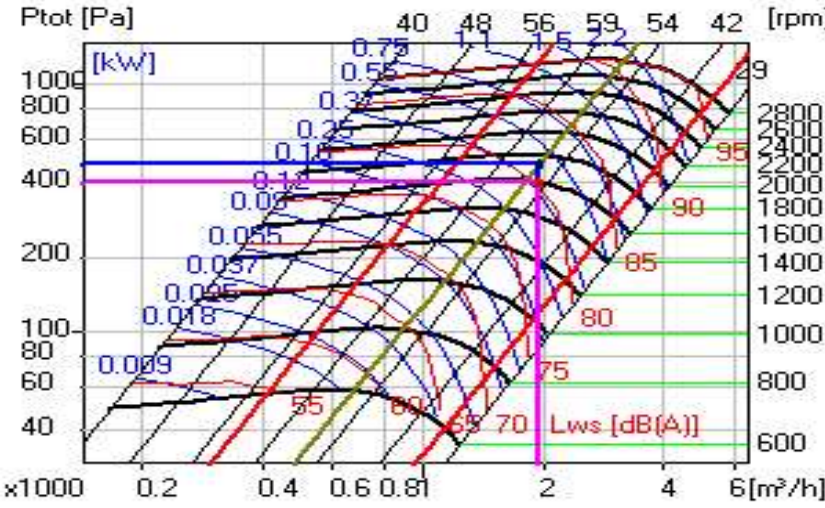


**AT 7-7 S**  
Single Unit - Ducted Outlet

**Working Point Data**



Total EFFICIENCY	55.6	%
Static Efficiency	46.8	%
Static Pressure	400	Pa
Velocity Pressure	76	Pa
Total Pressure	476	Pa
Fan Power	0.463	kW
Motor Power	0.579	kW
Volume Flow	1950	m³/h
Air Velocity	11.2	m/s
Fan Speed	1729	rpm
Temperature	20.5	°C
Altitude	0.	m
Density	1.2	kg/m³
Motor Efficiency	85	%
Specific Fan Power	1.006	kW/(m³/s)

Nicotra Gebhardt S.p.A. certifies that the fan shown herein is licensed to bear the AMCA Seal. The AMCA Certified Ratings Seal applies to air performance ratings only. Performance certified is for installation type B: free inlet, ducted outlet. Performance ratings do not include the effects of appurtenances (accessories). Power rating (watts, kW, or bhp) does not include transmission losses.

**Operational Limits**

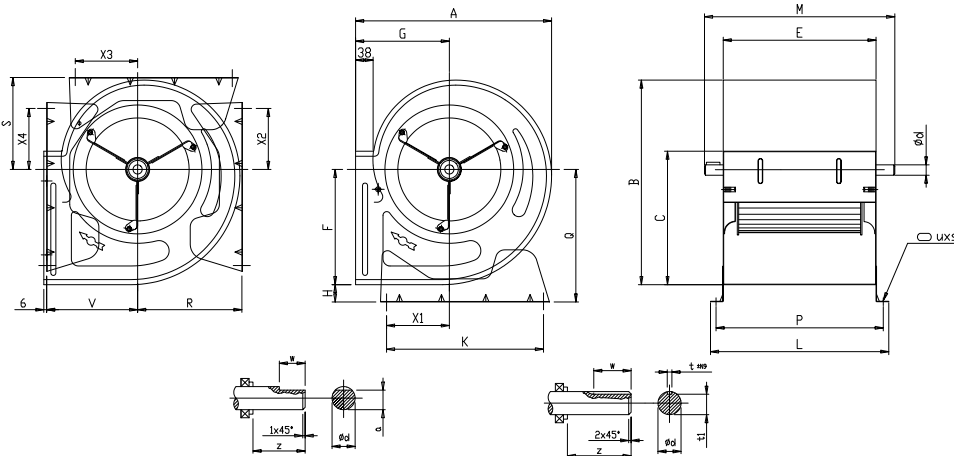
Max. Power	3	kW
Max. Fan Speed	2600	rpm
Min. Temperature	-20	°C
Max. Temperature	85	°C

Copyright Nicotra Spa - Italy -  
Dimensions and performances can be modified  
without prior notice  
Version 3.3.0 - May 2, 2016 - printed 23/09/2024 at 03:16:16 ?

Hz	Sound Power Level [dB]								Lw-tot		LwA-tot	
	63	125	250	500	1000	2000	4000	8000				
Inlet side External - Lwi	74	72	83.1	70	72.8	75.6	73.5	70.3	85.4	dB	81.3	dBA
Outlet side in-duct - Lwo	83.3	78.7	87.6	73.5	75.7	77.2	75.3	71.9	90.1	dB	84	dBA
Outlet side Ext. - Lwom	67.4	68	81.7	71	74.9	77	75.2	71.9	84.8	dB	82.4	dBA

**Notes**

**WARNING! OUT OF LIMITS**



AT7/7-9/7-9/9-10/8-10/10

AT12/9-12/12-15/11-15/15-18/13-18/18

A	316	S	145
B	325	V	147
C	208	K	225
E	232	X1	117
F	186	X2	86
G	153	X3	88
H	17	X4	47
L	282	t	0
M	340	t1	19
P	258	w	28
Q	203	z	28
R	169	Ød	20
UxS	11x16		

All dimensions in [mm]

## Fan Section

**PRE FILTER**  
**BAG FILTER**



model	Overall dimensions (MM)							
	A	B	C	D	e1	e2	a1	a2
AT 7-7	95	70	1450	100	520	180	230	210

