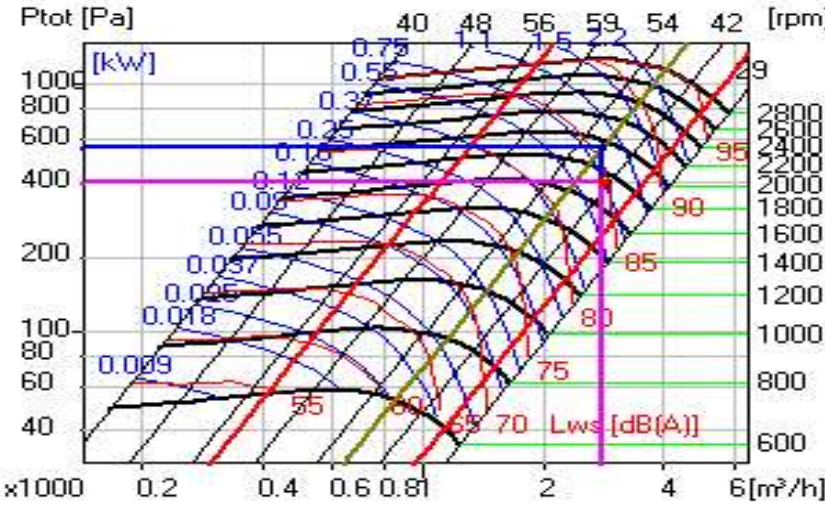


AT 7-7 S
Single Unit - Ducted Outlet

Working Point Data



| | | |
|--------------------|-------|-----------|
| Total EFFICIENCY | 48.7 | % |
| Static Efficiency | 35 | % |
| Static Pressure | 400 | Pa |
| Velocity Pressure | 156 | Pa |
| Total Pressure | 556 | Pa |
| Fan Power | 0.888 | kW |
| Motor Power | 1.066 | kW |
| Volume Flow | 2800 | m³/h |
| Air Velocity | 16.1 | m/s |
| Fan Speed | 1949 | rpm |
| Temperature | 20.5 | °C |
| Altitude | 0. | m |
| Density | 1.2 | kg/m³ |
| Motor Efficiency | 85 | % |
| Specific Fan Power | 1.344 | kW/(m³/s) |

Nicotra Gebhardt S.p.A. certifies that the fan shown herein is licensed to bear the AMCA Seal. The AMCA Certified Ratings Seal applies to air performance ratings only. Performance certified is for installation type B: free inlet, ducted outlet. Performance ratings do not include the effects of appurtenances (accessories). Power rating (watts, kW, or bhp) does not include transmission losses.

Operational Limits

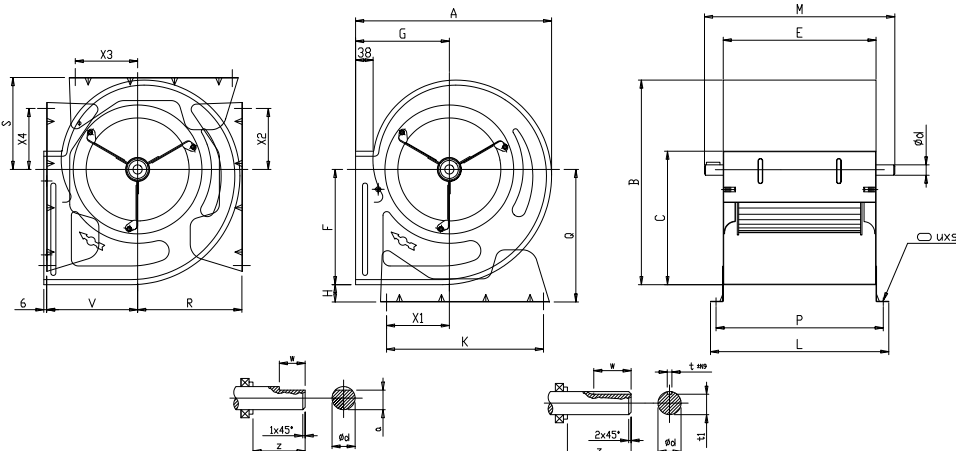
| | | |
|------------------|------|-----|
| Max. Power | 3 | kW |
| Max. Fan Speed | 2600 | rpm |
| Min. Temperature | -20 | °C |
| Max. Temperature | 85 | °C |

Copyright Nicotra Spa - Italy -
Dimensions and performances can be modified
without prior notice
Version 3.3.0 - May 2, 2016 - printed 23/09/2024 at 03:17:16 ?

| Hz | Sound Power Level [dB] | | | | | | | | Lw-tot | | LwA-tot | |
|---------------------------|------------------------|------|------|------|------|------|------|------|--------|----|---------|-----|
| | 63 | 125 | 250 | 500 | 1000 | 2000 | 4000 | 8000 | | | | |
| Inlet side External - Lwi | 79.5 | 74.5 | 85.8 | 75.7 | 76.1 | 79.2 | 79 | 76.9 | 88.9 | dB | 85.5 | dBA |
| Outlet side in-duct - Lwo | 88.8 | 81.2 | 90.4 | 79.3 | 79.6 | 81.3 | 80.8 | 78.3 | 94 | dB | 88.2 | dBA |
| Outlet side Ext. - Lwom | 72.9 | 70.6 | 84.5 | 76.8 | 78.8 | 81.1 | 80.7 | 78.3 | 88.7 | dB | 87 | dBA |

Notes

WARNING! OUT OF LIMITS



AT7/7-9/7-9/9-10/8-10/10

AT12/9-12/12-15/11-15/15-18/13-18/18

| | | | |
|-----|-------|----|-----|
| A | 316 | S | 145 |
| B | 325 | V | 147 |
| C | 208 | K | 225 |
| E | 232 | X1 | 117 |
| F | 186 | X2 | 86 |
| G | 153 | X3 | 88 |
| H | 17 | X4 | 47 |
| L | 282 | t | 0 |
| M | 340 | t1 | 19 |
| P | 258 | w | 28 |
| Q | 203 | z | 28 |
| R | 169 | Ød | 20 |
| UxS | 11x16 | | |

All dimensions in [mm]

Fan Section

PRE FILTER
BAG FILTER



| model | Overall dimensions (MM) | | | | | | | |
|--------|-------------------------|----|------|-----|-----|-----|-----|-----|
| | A | B | C | D | e1 | e2 | a1 | a2 |
| AT 7-7 | 95 | 70 | 1450 | 100 | 520 | 180 | 230 | 210 |

