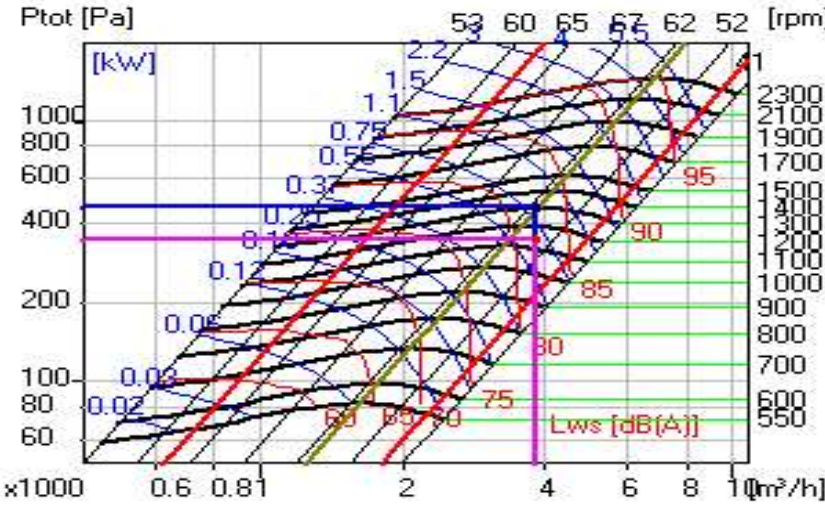


AT 9-9 S
Single Unit - Ducted Outlet

Working Point Data



Total EFFICIENCY	60	%
Static Efficiency	45.4	%
Static Pressure	350	Pa
Velocity Pressure	113	Pa
Total Pressure	463	Pa
Fan Power	0.824	kW
Motor Power	0.989	kW
Volume Flow	3850	m³/h
Air Velocity	13.7	m/s
Fan Speed	1304	rpm
Temperature	20.5	°C
Altitude	0.	m
Density	1.2	kg/m³
Motor Efficiency	85	%
Specific Fan Power	0.907	kW/(m³/s)

Nicotra Gebhardt S.p.A. certifies that the fan shown herein is licensed to bear the AMCA Seal. The AMCA Certified Ratings Seal applies to air performance ratings only. Performance certified is for installation type B: free inlet, ducted outlet. Performance ratings do not include the effects of appurtenances (accessories). Power rating (watts, kW, or bhp) does not include transmission losses.

Operational Limits

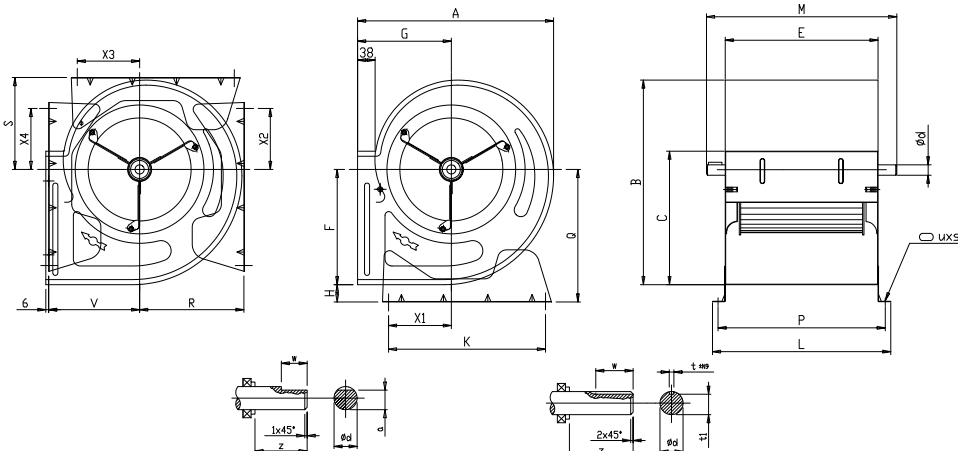
Max. Power	3	kW
Max. Fan Speed	2100	rpm
Min. Temperature	-20	°C
Max. Temperature	85	°C

Copyright Nicotra Spa - Italy -
Dimensions and performances can be modified
without prior notice
Version 3.3.0 - May 2, 2016 - printed 23/09/2024 at 03:19:32 ?

Hz	Sound Power Level [dB]								Lw-tot		LwA-tot	
	63	125	250	500	1000	2000	4000	8000				
Inlet side External - Lwi	70.6	80.5	76.3	73.1	76.9	76.6	74.4	69.9	85.1	dB	82.3	dBA
Outlet side in-duct - Lwo	76.6	84.3	79	76	79.2	78.4	75.9	71.2	88.1	dB	84.3	dBA
Outlet side Ext. - Lwom	62.5	75.4	74.5	74.2	78.6	78.2	75.9	71.1	84.5	dB	83.7	dBA

Notes

WARNING! OUT OF LIMITS



AT7/7-9/7-9/9-10/8-10/10

AT12/9-12/12-15/11-15/15-18/13-18/18

A	380	S	177
B	387	V	179
C	262	K	300
E	298	X1	119
F	215	X2	124
G	185	X3	123
H	38	X4	120
L	348	t	0
M	394	t1	19
P	324	w	30
Q	253	z	30
R	199	Ød	20
UxS	11x16		

All dimensions in [mm]

1 FAN SECTION

Fan Section

PRE FILTER
BAG FILTER



model	Overall dimensions (MM)							
	A	B	C	D	e1	e2	a1	a2
AT 9-9	950	800	1550	100	620	230	293	263

