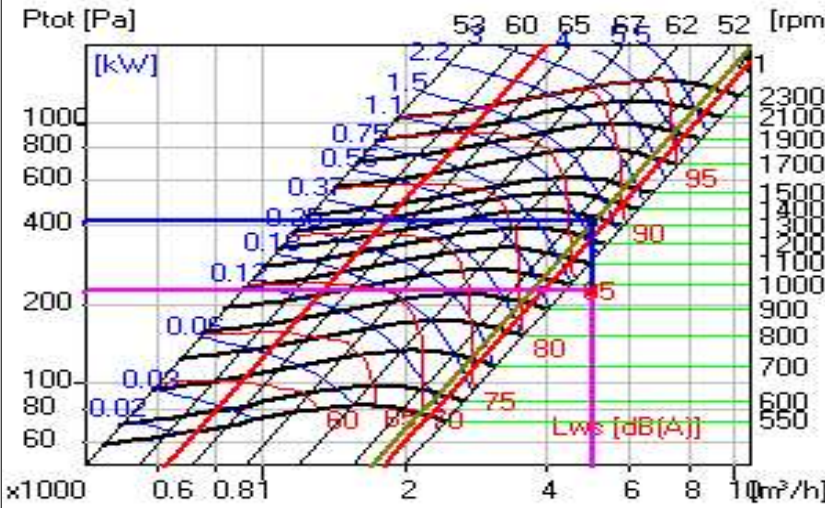


AT 9-9 S
Single Unit - Ducted Outlet

Working Point Data



Total EFFICIENCY	47.5	%
Static Efficiency	25.8	%
Static Pressure	225	Pa
Velocity Pressure	190	Pa
Total Pressure	415	Pa
Fan Power	1.213	kW
Motor Power	1.456	kW
Volume Flow	5000	m³/h
Air Velocity	17.8	m/s
Fan Speed	1277	rpm
Temperature	20.5	°C
Altitude	0.	m
Density	1.2	kg/m³
Motor Efficiency	85	%
Specific Fan Power	1.028	kW/(m³/s)

Nicotra Gebhardt S.p.A. certifies that the fan shown herein is licensed to bear the AMCA Seal. The AMCA Certified Ratings Seal applies to air performance ratings only. Performance certified is for installation type B: free inlet, ducted outlet. Performance ratings do not include the effects of appurtenances (accessories). Power rating (watts, kW, or bhp) does not include transmission losses.

Operational Limits

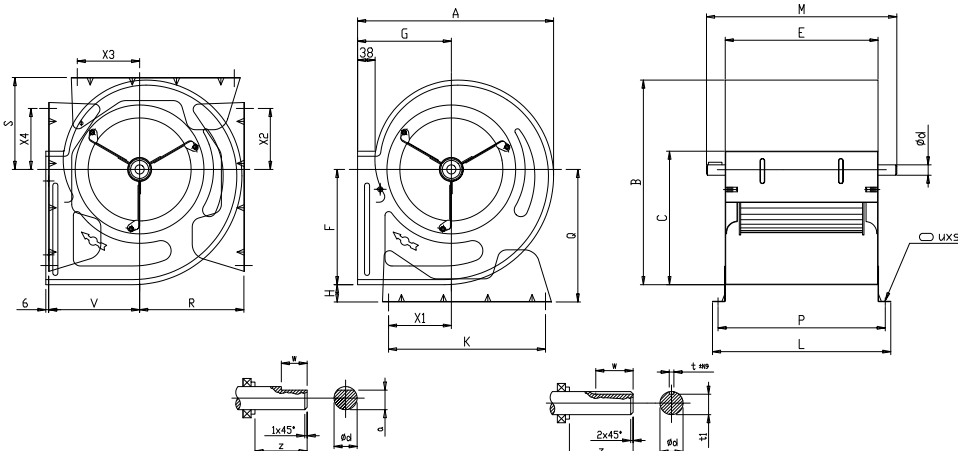
Max. Power	3	kW
Max. Fan Speed	2100	rpm
Min. Temperature	-20	°C
Max. Temperature	85	°C

Copyright Nicotra Spa - Italy -
Dimensions and performances can be modified
without prior notice
Version 3.3.0 - May 2, 2016 - printed 23/09/2024 at 03:20:11 ?

Hz	Sound Power Level [dB]								Lw-tot		LwA-tot	
	63	125	250	500	1000	2000	4000	8000				
Inlet side External - Lwi	74.5	84	77.7	76.5	80	82	80.6	77.4	89.1	dB	87.2	dBA
Outlet side in-duct - Lwo	80.1	87.6	80.3	79.5	82.5	83.9	82.1	78.5	91.9	dB	89.2	dBA
Outlet side Ext. - Lwom	66.1	78.7	75.8	77.7	82	83.7	82	78.5	89	dB	88.8	dBA

Notes

WARNING! OUT OF LIMITS



AT7/7-9/7-9/9-10/8-10/10

AT12/9-12/12-15/11-15/15-18/13-18/18

A	380	S	177
B	387	V	179
C	262	K	300
E	298	X1	119
F	215	X2	124
G	185	X3	123
H	38	X4	120
L	348	t	0
M	394	t1	19
P	324	w	30
Q	253	z	30
R	199	Ød	20
UxS	11x16		

All dimensions in [mm]

Fan Section

PRE FILTER



model	Overall dimensions (MM)							
	A	B	C	D	e1	e2	a1	a2
AT 9-9	950	800	1100	100	620	230	293	263

