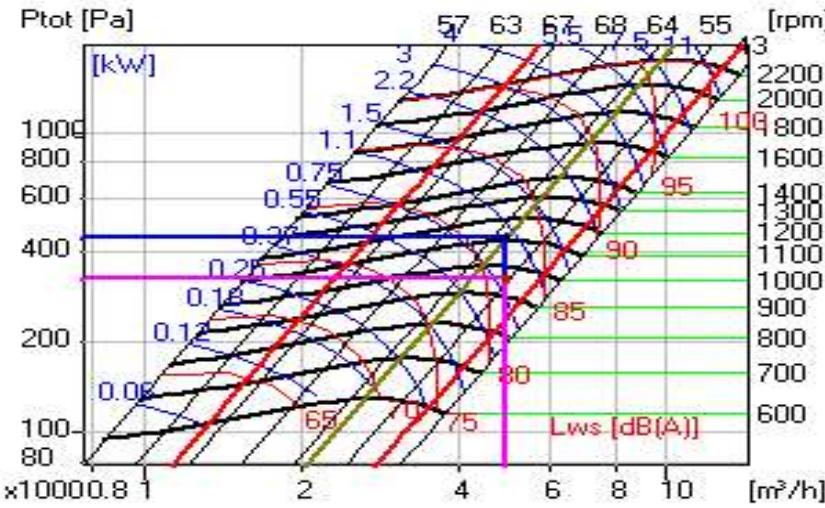


AT 10-10 S
Single Unit - Ducted Outlet

Working Point Data



Total EFFICIENCY	61.2	%
Static Efficiency	44.3	%
Static Pressure	325	Pa
Velocity Pressure	124	Pa
Total Pressure	449	Pa
Fan Power	1.008	kW
Motor Power	1.21	kW
Volume Flow	4950	m³/h
Air Velocity	14.4	m/s
Fan Speed	1116	rpm
Temperature	20.5	°C
Altitude	0.	m
Density	1.2	kg/m³
Motor Efficiency	85	%
Specific Fan Power	0.863	kW/(m³/s)

Nicotra Gebhardt S.p.A. certifies that the fan shown herein is licensed to bear the AMCA Seal. The AMCA Certified Ratings Seal applies to air performance ratings only. Performance certified is for installation type B: free inlet, ducted outlet. Performance ratings do not include the effects of appurtenances (accessories). Power rating (watts, kW, or bhp) does not include transmission losses.

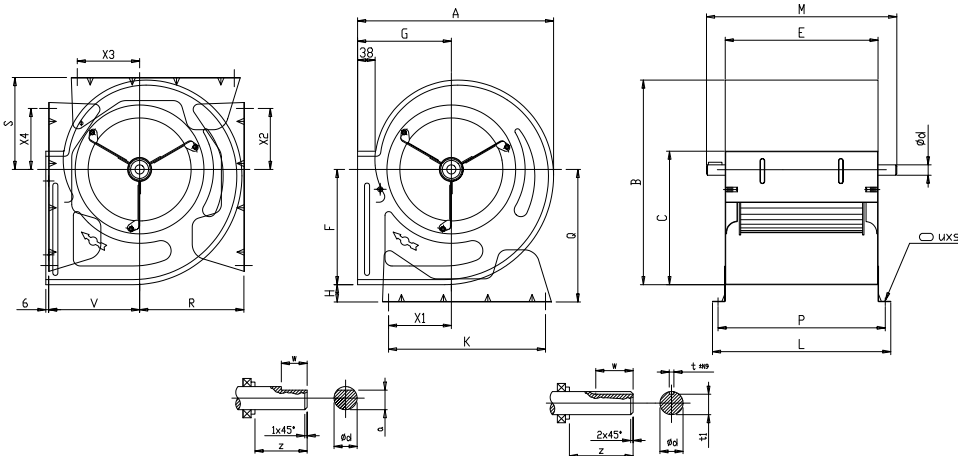
Operational Limits

Max. Power	4	kW
Max. Fan Speed	2000	rpm
Min. Temperature	-20	°C
Max. Temperature	85	°C

Copyright Nicotra Spa - Italy -
Dimensions and performances can be modified
without prior notice
Version 3.3.0 - May 2, 2016 - printed 23/09/2024 at 03:28:30 ?

Hz	Sound Power Level [dB]								Lw-tot		LwA-tot	
	63	125	250	500	1000	2000	4000	8000				
Inlet side External - Lwi	73.3	78.2	76.1	74.3	76.5	76.4	74.8	70.4	84.5	dB	82.2	dBA
Outlet side in-duct - Lwo	80.1	82.8	79.5	77.6	78.6	78.2	76.2	71.6	88	dB	84.3	dBA
Outlet side Ext. - Lwom	66.8	74.6	75.5	76.1	78.2	78	76.2	71.6	84.7	dB	83.7	dBA

Notes



AT7/7-9/7-9/9-10/8-10/10

AT12/9-12/12-15/11-15/15-18/13-18/18

A	425	S	198
B	443	V	197
C	289	K	340
E	331	X1	136
F	249	X2	132
G	203	X3	135
H	38	X4	132
L	381	t	0
M	420	t1	19
P	357	w	35
Q	287	z	38
R	227	Ød	20
UxS	11x16		

All dimensions in [mm]

Fan Section

PRE FILTER



model	Overall dimensions (MM)							
	A	B	C	D	e1	e2	a1	a2
AT 10-10	950	800	1220	100	720	280	330	290

