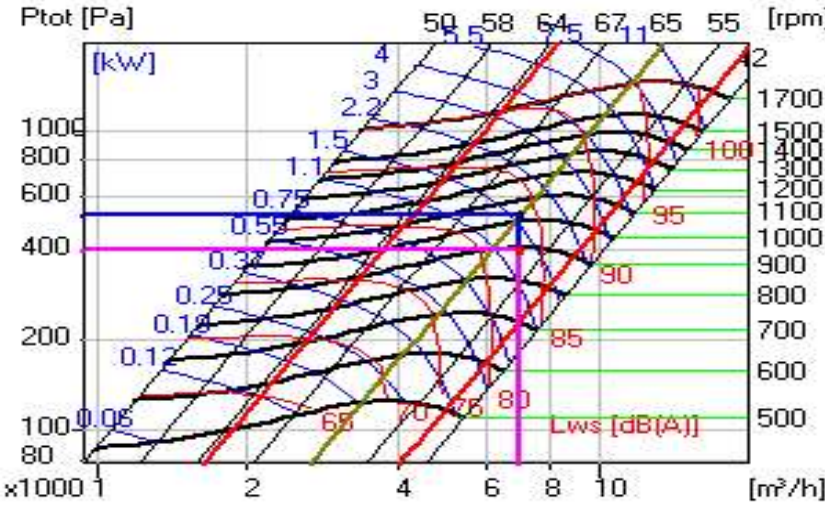


**AT 12-12 S**  
Single Unit - Ducted Outlet

**Working Point Data**



Total EFFICIENCY	63.9	%
Static Efficiency	48.9	%
Static Pressure	400	Pa
Velocity Pressure	123	Pa
Total Pressure	523	Pa
Fan Power	1.581	kW
Motor Power	1.897	kW
Volume Flow	6950	m³/h
Air Velocity	14.3	m/s
Fan Speed	1025	rpm
Temperature	20.5	°C
Altitude	0.	m
Density	1.2	kg/m³
Motor Efficiency	85	%
Specific Fan Power	0.963	kW/(m³/s)

Nicotra Gebhardt S.p.A. certifies that the fan shown herein is licensed to bear the AMCA Seal. The AMCA Certified Ratings Seal applies to air performance ratings only. Performance certified is for installation type B: free inlet, ducted outlet. Performance ratings do not include the effects of appurtenances (accessories). Power rating (watts, kW, or bhp) does not include transmission losses.

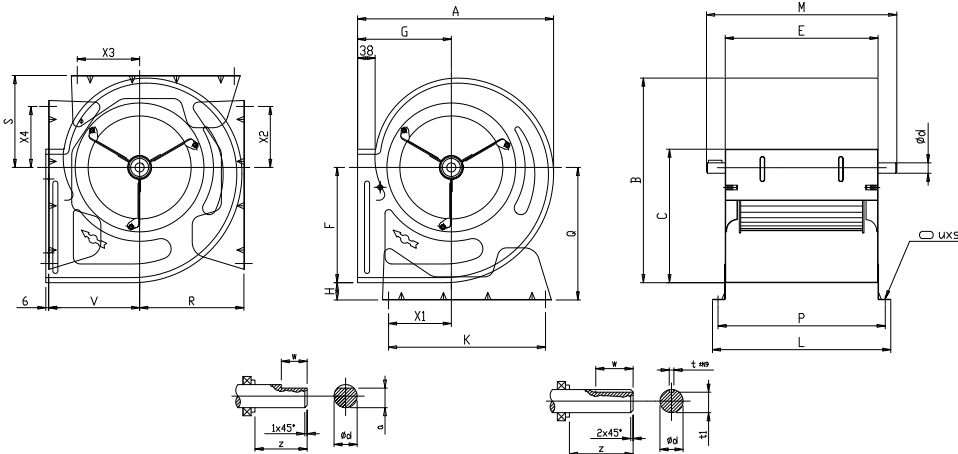
**Operational Limits**

Max. Power	5.5	kW
Max. Fan Speed	1500	rpm
Min. Temperature	-20	°C
Max. Temperature	85	°C

Copyright Nicotra Spa - Italy -  
Dimensions and performances can be modified  
without prior notice  
Version 3.3.0 - May 2, 2016 - printed 23/09/2024 at 03:39:03 ?

Hz	Sound Power Level [dB]								Lw-tot		LwA-tot	
	63	125	250	500	1000	2000	4000	8000				
Inlet side External - Lwi	79.6	83.6	80.2	76.2	78	77.9	75.3	70.3	88	dB	83.7	dBA
Outlet side in-duct - Lwo	85.7	87.6	83.3	79.4	79.9	79.7	76.7	71.4	91.8	dB	85.8	dBA
Outlet side Ext. - Lwom	73.7	80.6	80.1	78.3	79.6	79.6	76.7	71.4	87.4	dB	85.1	dBA

**Notes**



AT7/7-9/7-9/9-10/8-10/10

AT12/9-12/12-15/11-15/15-18/13-18/18

A	491	S	232
B	521	V	224
C	341	K	408
E	395	X1	161
F	294	X2	153
G	230	X3	161
H	38	X4	153
L	445	t	8
M	510	t1	21
P	421	w	35
Q	332	z	50
R	266	Ød	25
UxS	11x16		

All dimensions in [mm]

# 1 FAN SECTION

## Fan Section

**PRE FILTER**  
**BAG FILTER**



model	Overall dimensions (MM)							
	A	B	C	D	e1	e2	a1	a2
AT 12-12	950	950	1750	100	820	330	400	340

