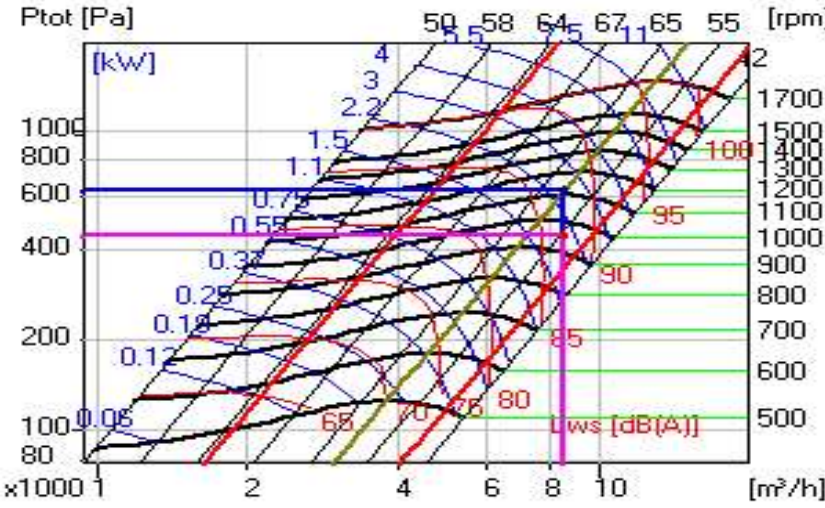


AT 12-12 S
Single Unit - Ducted Outlet

Working Point Data



Total EFFICIENCY	60.8	%
Static Efficiency	43.1	%
Static Pressure	450	Pa
Velocity Pressure	184	Pa
Total Pressure	634	Pa
Fan Power	2.465	kW
Motor Power	2.958	kW
Volume Flow	8500	m³/h
Air Velocity	17.5	m/s
Fan Speed	1121	rpm
Temperature	20.5	°C
Altitude	0.	m
Density	1.2	kg/m³
Motor Efficiency	85	%
Specific Fan Power	1.228	kW/(m³/s)

Nicotra Gebhardt S.p.A. certifies that the fan shown herein is licensed to bear the AMCA Seal. The AMCA Certified Ratings Seal applies to air performance ratings only. Performance certified is for installation type B: free inlet, ducted outlet. Performance ratings do not include the effects of appurtenances (accessories). Power rating (watts, kW, or bhp) does not include transmission losses.

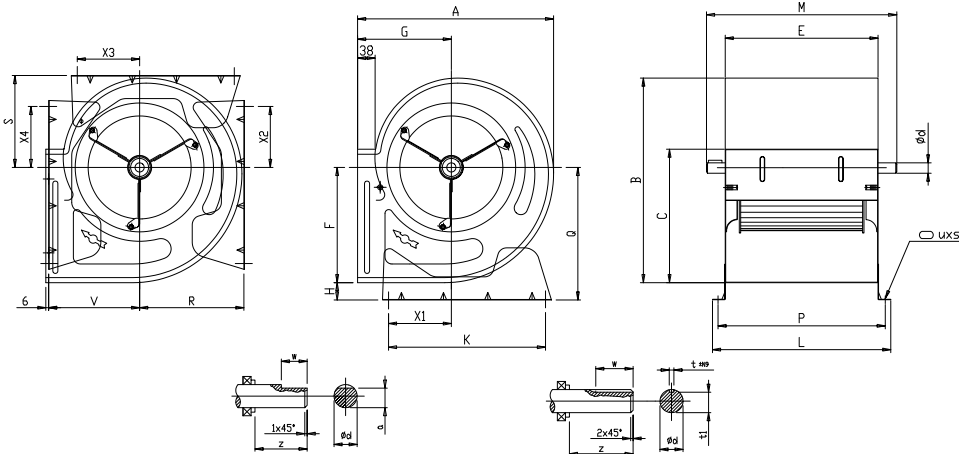
Operational Limits

Max. Power	5.5	kW
Max. Fan Speed	1500	rpm
Min. Temperature	-20	°C
Max. Temperature	85	°C

Copyright Nicotra Spa - Italy -
Dimensions and performances can be modified
without prior notice
Version 3.3.0 - May 2, 2016 - printed 23/09/2024 at 03:44:02 ?

Hz	Sound Power Level [dB]								Lw-tot		LwA-tot	
	63	125	250	500	1000	2000	4000	8000				
Inlet side External - Lwi	83.3	86.1	84.5	79.2	81.2	81.9	79.3	75.6	91.5	dB	87.5	dBA
Outlet side in-duct - Lwo	89.5	90.3	87.7	82.6	83.4	83.7	80.7	76.8	95.2	dB	89.6	dBA
Outlet side Ext. - Lwom	77.6	83.2	84.5	81.5	83.1	83.6	80.7	76.8	91.1	dB	89	dBA

Notes



AT7/7-9/7-9/9-10/8-10/10

AT12/9-12/12-15/11-15/15-18/13-18/18

A	491	S	232
B	521	V	224
C	341	K	408
E	395	X1	161
F	294	X2	153
G	230	X3	161
H	38	X4	153
L	445	t	8
M	510	t1	21
P	421	w	35
Q	332	z	50
R	266	Ød	25
UxS	11x16		

All dimensions in [mm]

1 FAN SECTION

Fan Section

PRE FILTER
BAG FILTER



model	Overall dimensions (MM)							
	A	B	C	D	e1	e2	a1	a2
AT 12-12	950	950	1750	100	820	330	400	340

