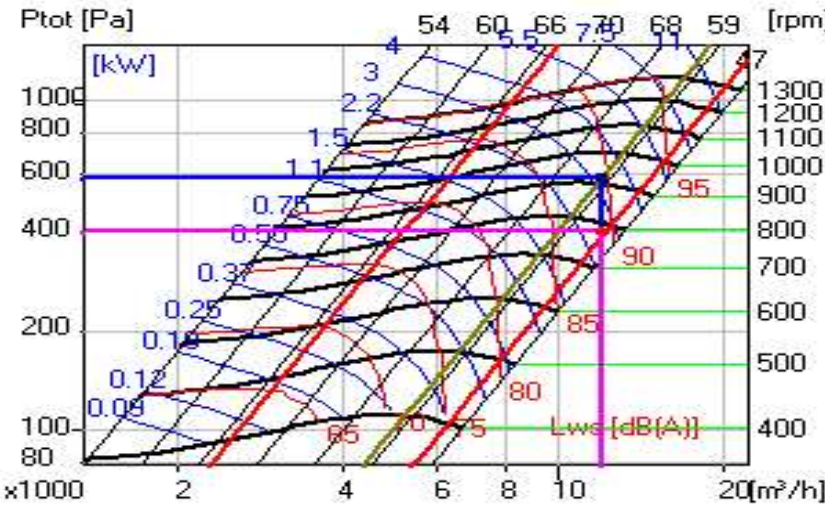


**AT 15-15 S**  
Single Unit - Ducted Outlet

**Working Point Data**



Total EFFICIENCY	60.5	%
Static Efficiency	41.4	%
Static Pressure	400	Pa
Velocity Pressure	184	Pa
Total Pressure	584	Pa
Fan Power	3.22	kW
Motor Power	3.864	kW
Volume Flow	12000	m³/h
Air Velocity	17.5	m/s
Fan Speed	919	rpm
Temperature	20.5	°C
Altitude	0.	m
Density	1.2	kg/m³
Motor Efficiency	85	%
Specific Fan Power	1.136	kW/(m³/s)

Nicotra Gebhardt S.p.A. certifies that the fan shown herein is licensed to bear the AMCA Seal. The AMCA Certified Ratings Seal applies to air performance ratings only. Performance certified is for installation type B: free inlet, ducted outlet. Performance ratings do not include the effects of appurtenances (accessories). Power rating (watts, kW, or bhp) does not include transmission losses.

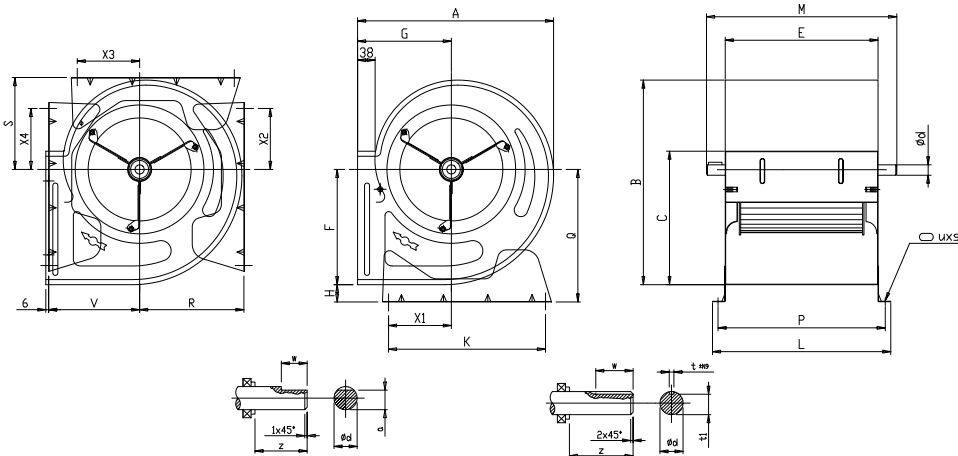
**Operational Limits**

Max. Power	5.5	kW
Max. Fan Speed	1200	rpm
Min. Temperature	-20	°C
Max. Temperature	85	°C

Copyright Nicotra Spa - Italy -  
Dimensions and performances can be modified  
without prior notice  
Version 3.3.0 - May 2, 2016 - printed 23/09/2024 at 03:45:49 ?

Hz	Sound Power Level [dB]								Lw-tot		LwA-tot	
	63	125	250	500	1000	2000	4000	8000				
Inlet side External - Lwi	85.3	86.8	83.5	84.5	82.5	83.2	82	78.5	92.9	dB	89.5	dBA
Outlet side in-duct - Lwo	90.2	89.9	86.2	87.6	84.5	84.9	83.3	79.3	95.9	dB	91.4	dBA
Outlet side Ext. - Lwom	79.6	84	83.7	86.7	84.3	84.8	83.3	79.3	92.8	dB	91	dBA

**Notes**



AT7/7-9/7-9/9-10/8-10/10

AT12/9-12/12-15/11-15/15-18/13-18/18

A	569	S	272
B	609	V	258
C	404	K	495
E	471	X1	197
F	342	X2	211
G	264	X3	201
H	38	X4	200
L	521	t	8
M	608	t1	21
P	497	w	40
Q	380	z	65
R	309	Ød	25
UxS	11x16		

All dimensions in [mm]

# 1 FAN SECTION

## Fan Section

**PRE FILTER**

**BAG FILTER**



model	Overall dimensions (MM)							
	A	B	C	D	e1	e2	a1	a2
AT 15-15	1150	1150	1900	100	920	380	470	405

