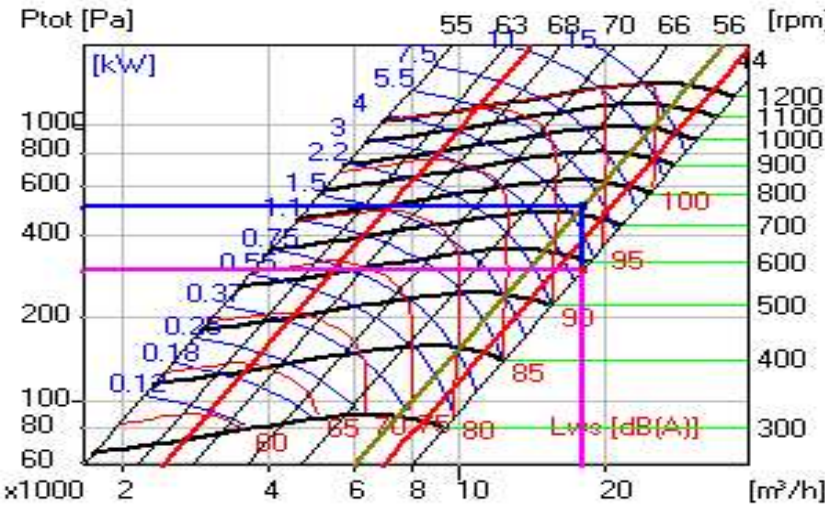


**AT 18-18 S**  
Single Unit - Ducted Outlet

Working Point Data



Total EFFICIENCY	56.4	%
Static Efficiency	33.1	%
Static Pressure	300	Pa
Velocity Pressure	210	Pa
Total Pressure	510	Pa
Fan Power	4.512	kW
Motor Power	5.415	kW
Volume Flow	17950	m³/h
Air Velocity	18.7	m/s
Fan Speed	723	rpm
Temperature	20.5	°C
Altitude	0.	m
Density	1.2	kg/m³
Motor Efficiency	85	%
Specific Fan Power	1.065	kW/(m³/s)

Nicotra Gebhardt S.p.A. certifies that the fan shown herein is licensed to bear the AMCA Seal. The AMCA Certified Ratings Seal applies to air performance ratings only. Performance certified is for installation type B: free inlet, ducted outlet. Performance ratings do not include the effects of appurtenances (accessories). Power rating (watts, kW, or bhp) does not include transmission losses.

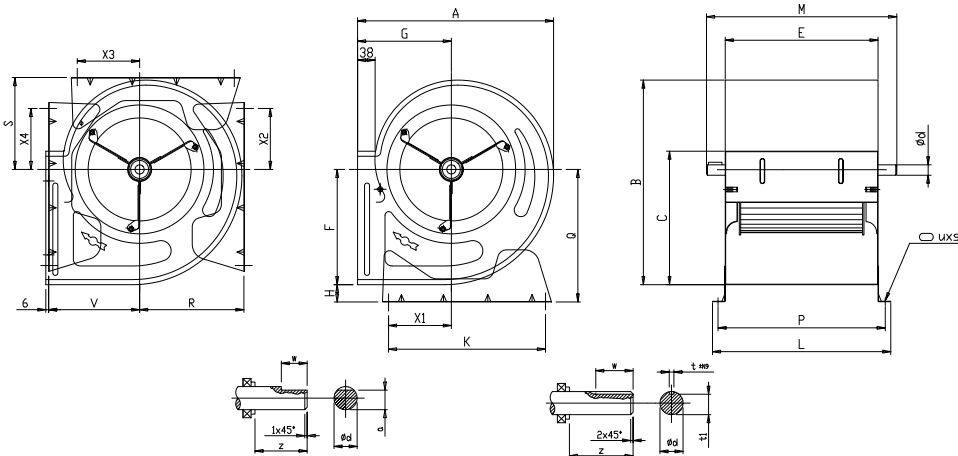
Operational Limits

Max. Power	7.5	kW
Max. Fan Speed	1100	rpm
Min. Temperature	-20	°C
Max. Temperature	85	°C

Copyright Nicotra Spa - Italy -  
Dimensions and performances can be modified  
without prior notice  
Version 3.3.0 - May 2, 2016 - printed 23/09/2024 at 03:46:53 ?

Hz	Sound Power Level [dB]								Lw-tot		LwA-tot	
	63	125	250	500	1000	2000	4000	8000				
Inlet side External - Lwi	86.8	85.5	85.2	88	85.8	86.5	85.5	81.3	94.9	dB	92.7	dBA
Outlet side in-duct - Lwo	92	89.1	88.5	90.8	87.8	88	86.7	81.6	97.9	dB	94.5	dBA
Outlet side Ext. - Lwom	82.6	84.2	86.5	90.2	87.6	88	86.7	81.6	95.7	dB	94.3	dBA

Notes



AT7/7-9/7-9/9-10/8-10/10

AT12/9-12/12-15/11-15/15-18/13-18/18

A	684	S	340
B	739	V	307
C	478	K	608
E	557	X1	262
F	415	X2	283
G	314	X3	278
H	42	X4	288
L	607	t	8
M	694	t1	21
P	583	w	40
Q	457	z	70
R	376	Ød	25
UxS	11x16		

All dimensions in [mm]

## Fan Section

**PRE FILTER**



model	Overall dimensions (MM)							
	A	B	C	D	e1	e2	a1	a2
AT 18-18	1400	1200	1500	100	1020	430	560	480

