



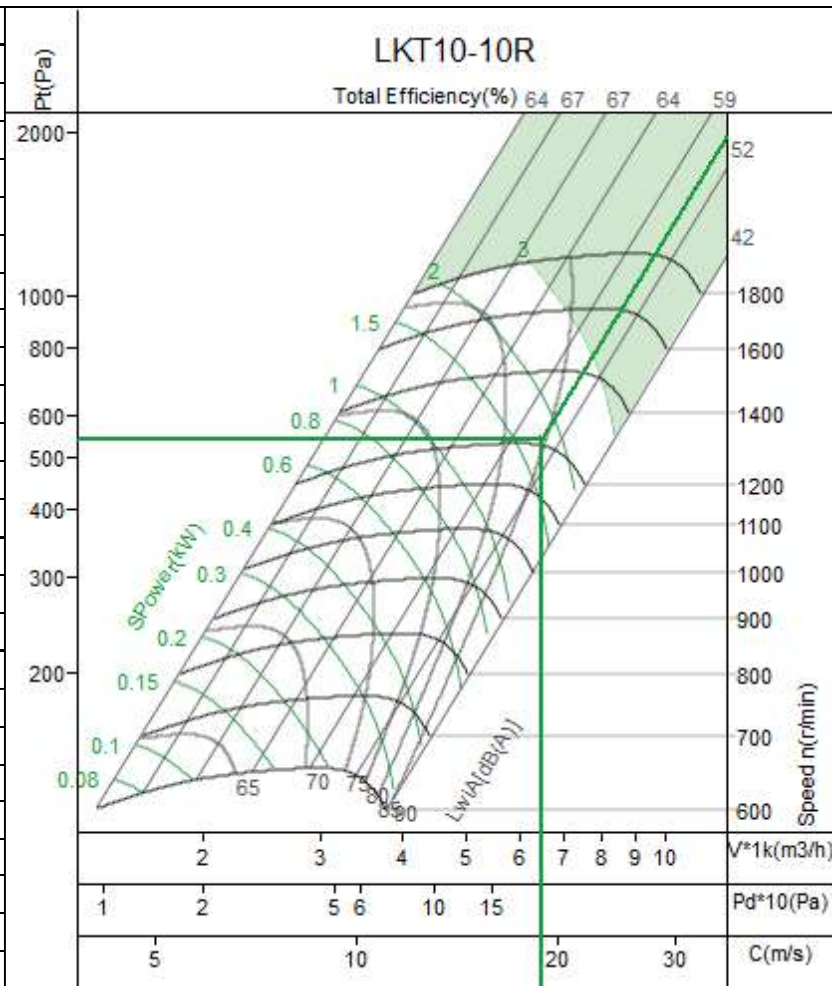
No.:1 Equipment No.:

Project Name:Untitled

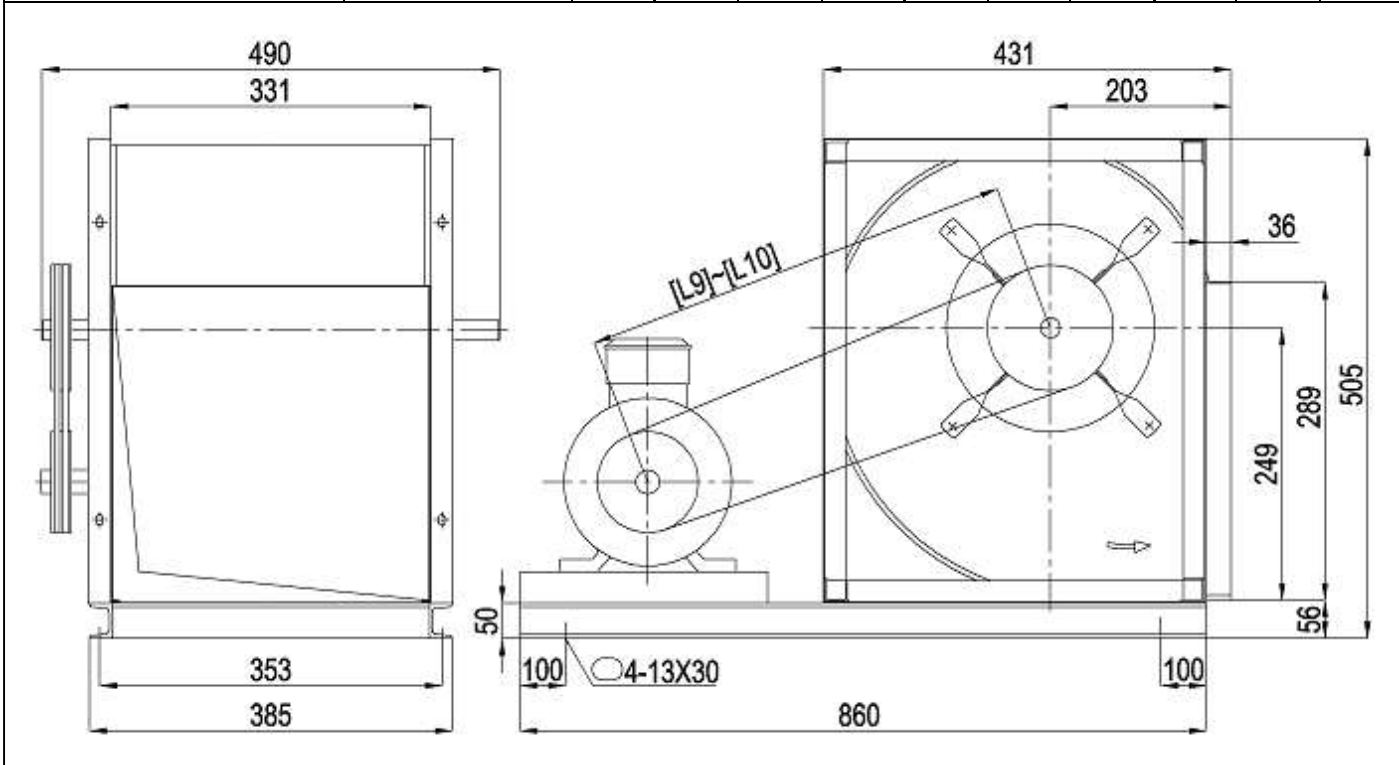
Date:2024-11-18

Remarks:

Input Parameters	
Air Volume	6500 m3/h
Input S.P.	325 Pa
Fan Parameters	
Type	LKT10-10R
Air Volume	6500 m3/h
Total Pressure	539 Pa
Static Pressure	325 Pa
Dynamic Pressure	214 Pa
Outlet Velocity	18.87 m/s
Total Efficiency	55.2 %
Fan Speed	1214 r/min
Shaft Power	1.76 kw
Motor Parameters	
Motor Power/Pole	2.2/4
Motor Speed	1435 r/min
Elec Supply V/Ph/Hz	380/3/50
Belt/Pulley	
Fan Pulley/Bush/Shaft	
Motor Pulley/Bush/Shaft	
Belt Model * qty	
Belt Length/Belt Speed	
Bearing life L10/L50 (h)	h
Machine Parameters	
Total Weight	55.5 kg



Limiting Parameters		Noise									
Max. Fan Speed	1800 r/min	HZ	63	125	250	500	1k	2k	4k	8k	Overall
Max. Absorbed Power	3 kw	Lw	78	81	80	80	84	84	83	79	91
Temperature(Min-Max)	-20~85 jæ	Lw(A)	52	65	72	77	84	85	84	78	90
Max. Bearing Load	14000 N	LpA	44	57	64	69	76	77	76	70	82



Fan Section

PRE FILTER



model	Overall dimensions (MM)							
	A	B	C	D	e1	e2	a1	a2
AT 10-10	950	800	1220	100	720	280	330	290

